

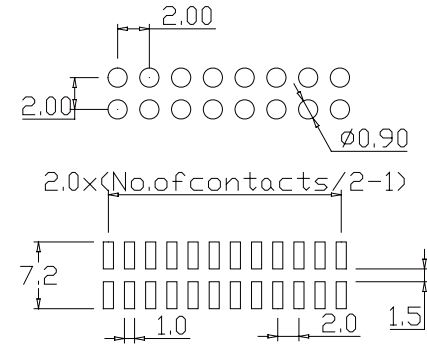
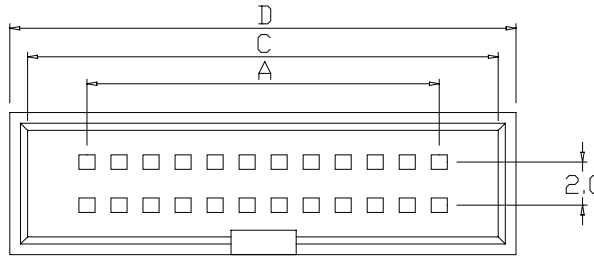
BY	CHK	REVISION RECORD MODIFICATIONS	DATE	REV.
ALLEN		RELEASE TO PRODUCTION	2007,8,1	1.0

SPECIFICATION

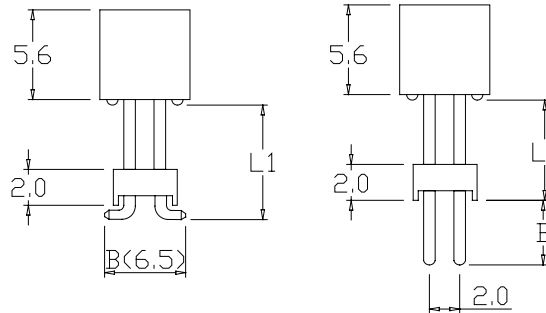
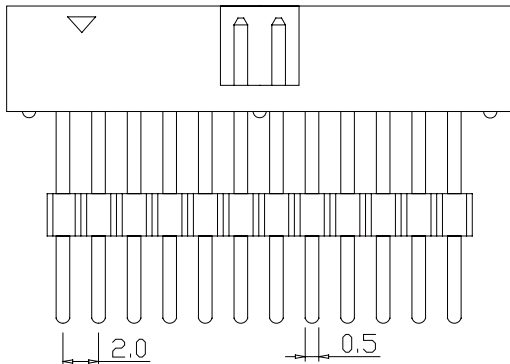
Current Rate: 1.5 AMP
 Insulation Resistance: 1000mΩ Min
 Contact Resistance: 20mΩ Max
 Dielectric voltage: 500V AC for one minute
 Operation Temperature: -40°C to +105°C

MATERIAL

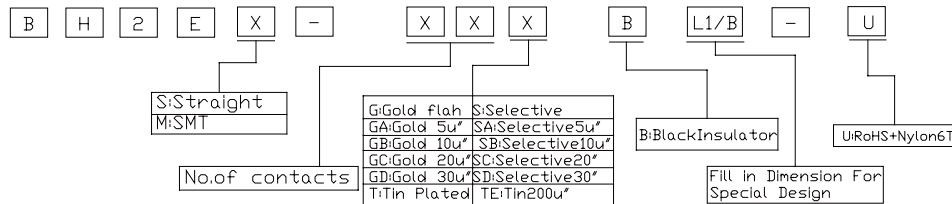
Insulator: Polyester, UL94v-0
 Standard: Nylon 6T
 Contact Pin: Brass
 Finish: Tin, Gold Plated
 Standard: Gold Flash all over



Recommended PCB Layout
 (PCB TOLERANCE ±0.05)



Number Of Position	DIMENSION		
	A	B	C
06	4.00	12.20	13.20
08	6.00	14.20	15.20
10	8.00	16.20	17.20
12	10.00	18.20	19.20
14	12.00	20.20	21.20
16	14.00	22.20	23.20
20	18.00	26.20	27.20
24	22.00	30.20	31.20
26	24.00	32.20	33.20
30	28.00	36.20	37.20
32	30.00	38.20	39.20
34	32.00	40.20	41.20
40	38.00	46.20	47.20
44	42.00	50.20	51.20
50	48.00	56.20	57.20
60	58.00	66.20	67.20
64	62.00	70.20	71.20
68	66.00	74.20	75.20



APPRO	CHECK	DRAWN	PART NO.	BH2EX-XXXBL1/B-U	DESCRIPTION	
			ITEM NO.			
			DRAW NO.			
			UNIT	mm SCALE no		
			TOLER	NO.		
Tel: 0769 22020068 Fax: 0769 22020069 E-mail: sales@vigortec.com						